

1

2

3

4

A

B

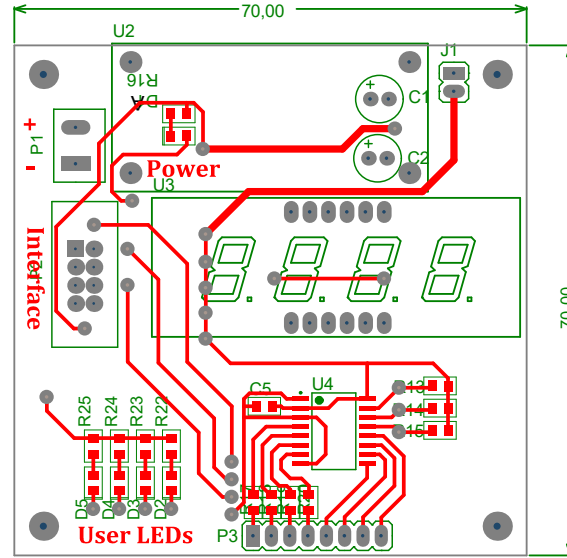
B

C

C

D

D



Altium Limited
 12a Rodborough Rd
 Frenchs Forest
 NSW 2086

ENGINEER:	TITLE:		
PCB DESIGNER:			
DATE: 14.03.2016	PART NO.:	REV:	
FILE NAME: PCB2.PcbDoc	DWG NO.:	SCALE:	

1

2

3

4

1

2

3

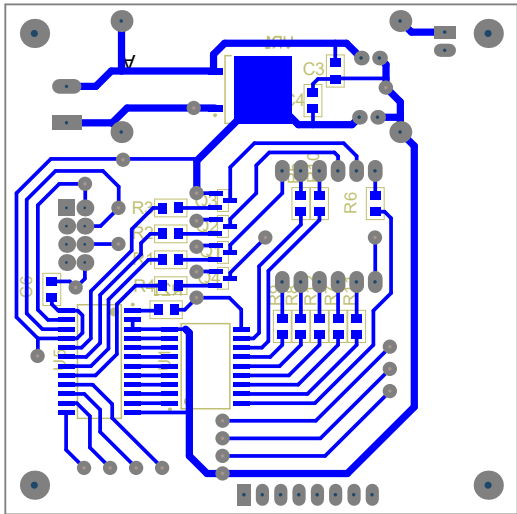
4

A

B

C

D



B

C

D



Altium Limited
 12a Rodborough Rd
 Frenchs Forest
 NSW 2086

ENGINEER:	TITLE:		
PCB DESIGNER:			
DATE: 14.03.2016	PART NO.:	REV:	
FILE NAME: PCB2.PcbDoc	DWG NO.:	SCALE:	

1

2

3

4

